

Hydrophilic
Trifocal IOL



The True Trifocal IOL For Near, Intermediate and Distance Vision

Provides Trifocal Vision
(Near, Intermediate and Distance)

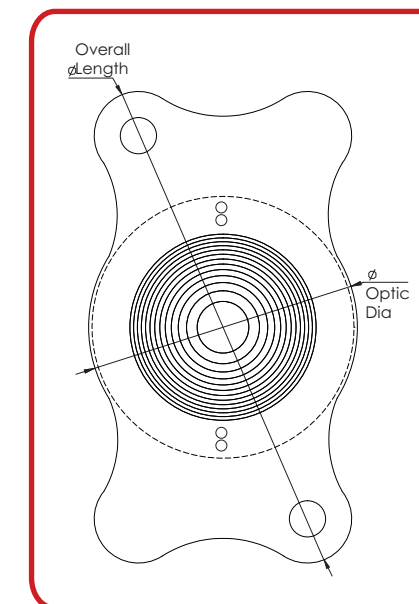
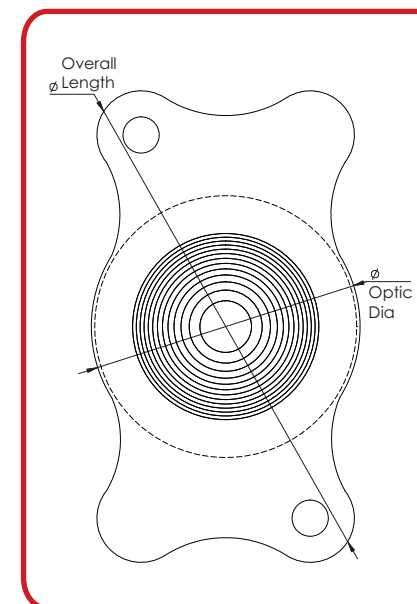
Reduces Pupil Dependency

The True Trifocal IOL

Balanced Distribution of Light

Hydrophilic
Trifocal IOL

Intellectually Redefined Vision



	TDIFF-P1	TDIFFT-P1
Model	TDIFF-P1	TDIFFT-P1
Material	Hydrophilic Acrylic	
IOL Powers (Spherical Equivalent Diopters)	+0.0 D to +40.0 D in 0.5 D Steps	+0.0 D to +30.0 D in 0.5 D Steps
IOL Cylinder Power	-	1.00 D to 6.00 D (in 0.5 D Steps)
Addition for Near Focus	+3.5 D for Near +1.8 D for Intermediate	+3.5 D for Near +1.8 D for Intermediate
Optic Diameter	6.00 mm	6.00 mm
Overall Length	10.75 mm to 11.25 mm	10.75 mm to 11.25 mm
Optic Type	Diffractive Trifocal Aspheric Optic	Anterior - Diffractive Aspheric Posterior - Toric Optic
Haptic Angulation	0° (Plano)	
Haptic Configuration	Modified Plate Haptic	
Refractive Index	1.465	
A-Constant	118.2 (SRK-T, US Biometry)* 118.6 (SRK-T, Optical Biometry)* 1.67 (Barrett Universal II LF)*	

*The mentioned value are estimates. It is recommended that the surgeon derives his/her own values based on the refractive outcome.



CAREGROUP SIGHT SOLUTION PRIVATE LIMITED
Block No.: 310/C&E, Village Dabhasa, Taluka - Padra,
Dist. Vadodara - 391 440, Gujarat, India.
customer@caregroupiol.com
www.caregroupiol.com